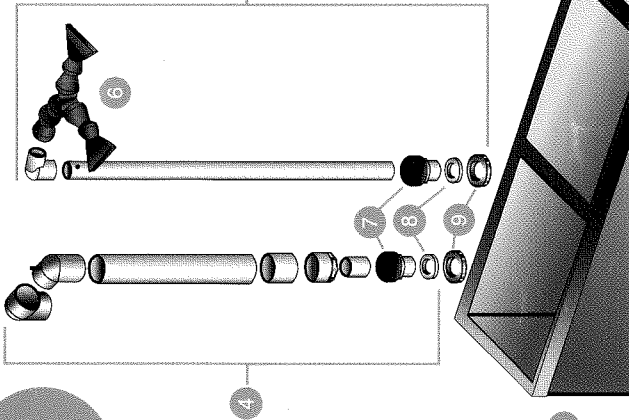
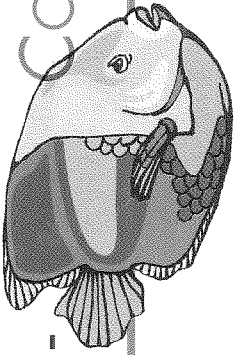


Start Here -

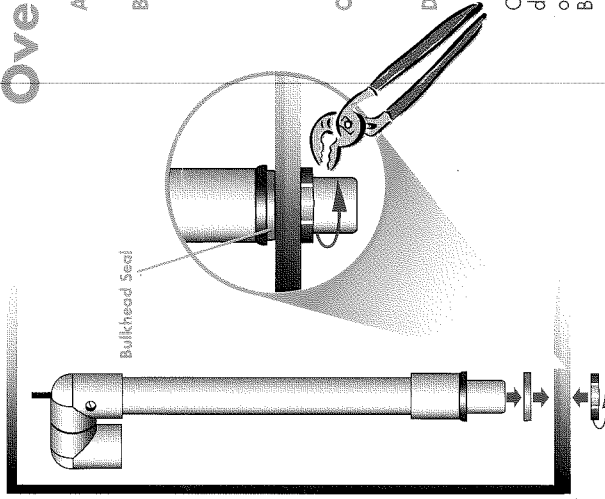
CORNER-FLO Quick Setup Guide



2

Overflow

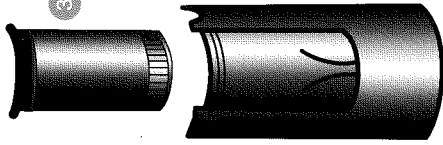
- A. Remove Overflow Bulkhead Nut.
- B. Install Overflow Assembly with Bulkhead and Bulkhead Seal into pre-drilled hole.
NOTE: Seal must be placed between Bulkhead and inner bottom glass. To ensure proper seal, inner bottom surface must be clean.
- C. Install Bulkhead Nut (underneath) and secure by hand-tightening.
- D. Using Channel Lock Pliers, tighten Bulkhead Nut an additional 1/4 turn.



CAUTION: To reduce the risk of damaging Bulkhead Assemblies or Aquarium, do not tighten Bulkhead Nut more than 1/4 turn.

Parts Check

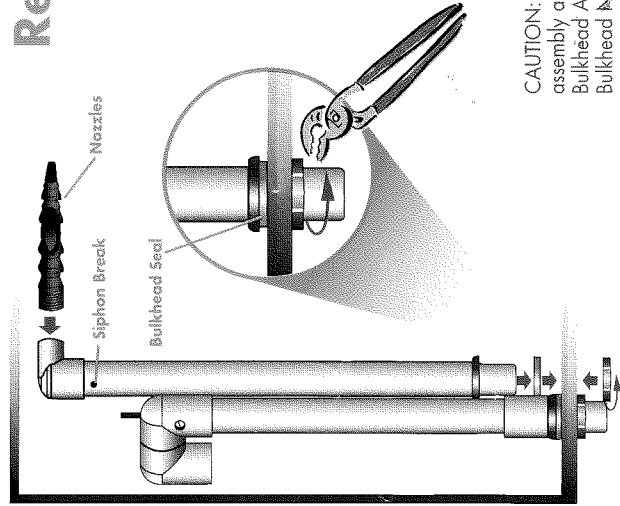
- (1) Aquarium
- (2) Corner-Flo Partition
- (3) Removable Front Panel
- (4) Overflow Assembly
- (5) Return Assembly
- (6) Loc-Line® Outlet Nozzles
- (7) Connecting Bulkheads (2)
- (8) Bulkhead Seals (2)
- (9) Bulkhead Nuts (2)



4

Return

- A. Attach Nozzles to Return Elbow.
- B. Install Return Assembly (with Bulkhead and Bulkhead Seal) into pre-drilled hole.
NOTE: Seal must be placed between Bulkhead and inner bottom glass. To ensure proper seal, inner bottom surface must be clean.
- C. Install Bulkhead Nut (underneath) and secure by hand-tightening.
- D. Using Channel Lock Pliers, tighten Bulkhead Nut an additional 1/4 turn.

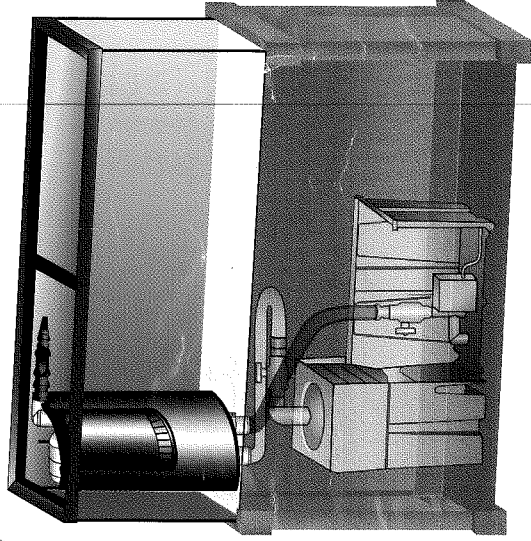


CAUTION: Make sure Siphon Break is at top of assembly as shown. To reduce the risk of damaging Bulkhead Assemblies or Aquarium, do not tighten Bulkhead Nut more than 1/4 turn.

3

Final Connection

- A. Connect Corner-Flo to Sump Filtration System (Super System Filtration with Tidepool pictured.)
- B. START YOUR SYSTEM.



Except where threaded fittings are used, connections from Return and Overflow to the Sump Filtration System (under aquarium) should be cemented to ensure watertight integrity. With threaded fittings, wrap threads with Teflon Tape. All pipe-to-hose connections should be secured with hose clamps.

Questions or missing parts? Call customer service at (800) 322-1266 or visit www.marineland.com.