

# GEORGE FOREMAN®



## 4 serving REMOVABLE-PLATE GRILL 4 porciones PLACA-REMOVIBLE PARRILLA 4 portions PLAQUES-AMOVIBLES GRIL

USE AND CARE MANUAL  
MANUAL DE USO Y CUIDADO  
GUIDE D'UTILISATION ET D'ENTRETIEN

RPGF3602RD, RPGF3602RDC, RPGF3602TG SERIES



[www.georgeforemancooking.com](http://www.georgeforemancooking.com)

PLEASE READ AND SAVE THIS USE AND CARE BOOK.

## IMPORTANT SAFEGUARDS.

When using electrical appliances, always follow basic safety precautions to reduce the risk of fire, electric shock, and/or injury, including the following:

- Read all instructions.
- Do not touch hot surfaces. Use handles or knobs.
- The appliance is not intended to be operated by means of an external timer or separate remote-control system.
- To protect against electrical shock do not immerse cord, plugs or appliance in water or other liquid.
- Close supervision is necessary when any appliance is used by or near children.
- Unplug from outlet when not in use and before cleaning. Allow to cool before putting on or taking off parts and before cleaning the appliance.
- Do not operate any appliance with a damaged cord or plug, or after the appliance malfunctions or has been damaged in any manner. Contact customer support or call the appropriate toll-free number in this manual.
- The use of accessory attachments not recommended by the appliance manufacturer may cause injuries.
- Do not use outdoors.
- Do not let cord hang over edge of table or counter, or touch hot surfaces.
- Do not place on or near a hot gas or electric burner, or in a heated oven.
- Extreme caution must be used when moving an appliance containing hot oil or other hot liquids.
- To disconnect, remove plug from wall outlet.
- Be sure removable plates are assembled and fastened properly (see ATTACHING THE PLATES).
- Do not use this appliance for other than intended use.
- The appliance is only to be operated in the closed position.
- This appliance is not intended for use by persons (including children) with reduced physical, sensory or mental capabilities, or lack of experience and knowledge, unless they have been given supervision or instruction concerning use of the appliance by a person responsible for their safety.
- Children should be supervised to ensure that they do not play with the appliance.

## SAVE THESE INSTRUCTIONS.

This product is for household use only.

### POLARIZED PLUG

This appliance has a polarized plug (one blade is wider than the other). To reduce the risk of electric shock, this plug is intended to fit into a polarized outlet only one way. If the plug does not fit fully into the outlet, reverse the plug. If it still does not fit, contact a qualified electrician. Do not attempt to modify the plug in any way.

### TAMPER-RESISTANT SCREW

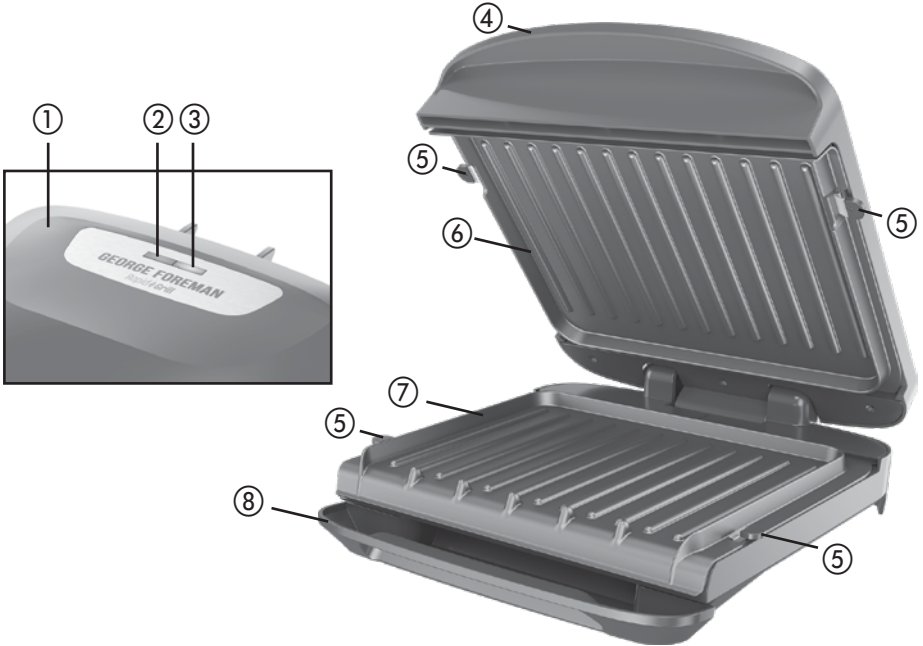
Warning: This appliance is equipped with a tamper-resistant screw to prevent removal of the outer cover. To reduce the risk of fire or electric shock, do not attempt to remove the outer cover. There are no user-serviceable parts inside. Repair should be done only by authorized service personnel.

### ELECTRICAL CORD

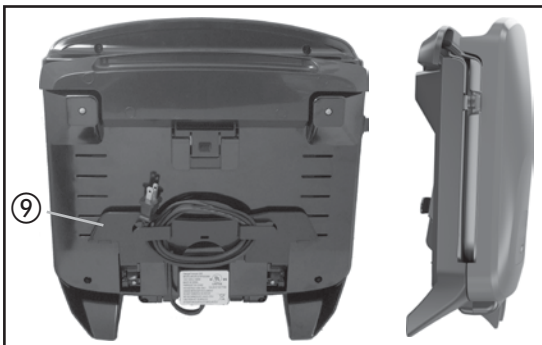
- a) A short power-supply cord is provided to reduce the risks resulting from becoming entangled in or tripping over a longer cord.
- b) Extension cords are available and may be used if care is exercised in their use.
- c) If an extension cord is used:
  - 1) The marked electrical rating of the extension cord should be at least as great as the electrical rating of the appliance;
  - 2) If the appliance is of the grounded type, the extension cord should be a grounding-type 3-wire cord; and
  - 3) The cord should be arranged so that it will not drape over the counter top or tabletop where it can be pulled on by children or tripped over.

**Note:** If the power cord is damaged, please contact the warranty department listed in these instructions.

# GETTING TO KNOW YOUR GRILL



- 1. Grill cover
  - 2. Power indicator light
  - 3. Preheat indicator light
  - 4. Handle
  - 5. Grill plate release tabs (both sides)
  - † 6. Removable grill plate (top) (Part # RPGF3602-01)
  - † 7. Removable grill plate (bottom) (Part # RPGF3602-02)
  - † 8. Nested drip tray (Part # RPGF3602-03)
  - 9. Dual grill position stand
- Note:** † indicates consumer replaceable/removable parts.  
Product may vary slightly from what is illustrated.



## Storage

Flip the dual grill position stand underneath the unit. Then wrap the cord around cord hooks to secure it.

Stand the grill vertically to save storage space.

# HOW TO USE

This product is for household use only.

## GETTING STARTED

- Remove all packing material, any stickers, and the plastic band around the power plug.
- Remove and save literature.
- Please go to [www.prodprotect.com/georgeforeman](http://www.prodprotect.com/georgeforeman) to register your warranty.

## USING DUAL GRILL POSITION STAND

1. For sloped cooking of foods like burgers or chicken: Flip the Dual Grill Position Stand out away from the grill. (A)
2. For horizontal cooking of foods like paninis or hot dogs: Flip the stand to store underneath the grill.



## ATTACHING THE PLATES

**Important:** This appliance must always be used with both cooking plates securely attached.

**Caution:** Attach grill plates when the appliance is cool.

1. Securely attach top grill plate using the release tabs on each side. To secure the plate, insert the tabs at the bottom of the plate into the slots closest to the hinge. Push the plate onto the grill until the release tabs snap into place.
2. Securely attach bottom grill plate using the release tabs as described in Step 1.

## PREHEATING THE GRILL

- Slide drip tray under front of grill.
- Close lid and plug cord into outlet.
- Allow grill to preheat. When grilling temperature is reached, the green preheat indicator light turns on.

## GRILLING

- Using a pot holder, carefully open the lid.

**Note:** Aerosol cooking spray should not be used on nonstick surface. Chemicals that allow spray to come out of a can build up on surface of grill plates and reduce their efficiency.

- Carefully place foods to be cooked on lower grilling plate. Close lid.

**Note:** Do not overload grill.

- Close cover and allow food to cook for desired time. (See cooking chart.)

**Note:** Always use heatproof plastic, nylon or wood utensils to avoid scratching nonstick surface of grill plates. Never use metal skewers, tongs, forks or knives.

- When finished cooking, unplug the appliance to cool it down.

- Using a potholder or oven mitts, carefully open the lid and remove the food.
- Allow the drip tray to cool before removing it from under the grill. Wash and dry the drip tray after each use. It can also be washed in the upper rack of the dishwasher.

## USING ADJUSTABLE COOKING HEIGHT

This grill has a unique hinge that allows the grill cover to adjust to the thickness of food. For even browning and cooking, when grilling more than one sandwich or piece of meat, it is important that the thickness of each be about the same.

## SUGGESTED COOKING CHART

The cooking times and temperatures in the below chart are meant to be used as a guideline only. Cooking time will depend upon the food thickness and cut being used. Use a meat thermometer to test for doneness by inserting the thermometer into the thickest portion of the meat. For reasons of personal preference, you may choose to cook food to a higher temperature.

	<b>Rare</b> 63 °C (145 °F)	<b>Medium</b> 71 °C (160 °F)	<b>Well</b> 74 °C (165 °F)
Salmon Steak 6 oz	4 min.		
Burgers 4 oz	2 - 4 min.	5 - 7 min.	6 - 8 min.
Chicken Breast 6 oz			6 - 8 min.
Steak 7 oz	4 - 6 min.	5 - 7 min.	6 - 8 min.

## CARE AND CLEANING

**Caution: To avoid accidental burns, allow your grill to cool completely before cleaning.**

This product contains no user serviceable parts. Refer service to qualified service personnel.

1. Empty the drip tray, clean with warm, soapy water. Wipe dry.
2. To remove the plates, press the release tabs on both sides of the plates and remove from the grill. The plates can be washed in the dishwasher or by hand with hot, soapy water; always dry plates thoroughly before reattaching.
3. Wipe outside of unit with a warm, wet sponge. Dry with soft, dry cloth.
4. DO NOT use steel wool, scouring pads or abrasive cleaners on any part of the grill.
5. DO NOT immerse in water or any other liquid.
6. Make sure to hold the lid open by hand while cleaning to prevent accidental closing and injury.
7. Any servicing requiring disassembly other than the above cleaning must be performed by a qualified service personnel.

# RECIPES

## ASIAN CHICKEN BURGERS

Prep Time: 10 Min | Total Time: 1 hour and 15 min

Servings: 4

### Ingredients

1 lb. lean ground chicken	2 Tbsp. low sodium soy sauce
1 Tbsp. lemon juice	½ tsp. ground ginger
1 clove garlic, minced	1 egg white
2 green onions, finely chopped	4 sesame seed hamburger buns

### Directions

In a large bowl, combine the chicken, lemon juice, garlic, green onions, soy sauce, ginger and egg white. Shape into 4 patties. Refrigerate for 1 hour.

Preheat George Foreman Grill®. Place the burgers in the grill and grill for 5 minutes or until burgers are done (160°F)

Serve on the sesame seed buns with condiments such as low fat peanut butter, hoisin sauce and bean sprouts.

## MEATBALL SLIDERS

Prep Time: 10 minutes | Total Time: 20 minutes

Serving Size: 3

### Ingredients

¾ lbs. lean ground beef	1 cup tomato sauce, divided
2 cloves garlic, finely chopped	1 tsp. dried Italian seasoning
¼ cup chopped onion	6 dinner rolls, heated and sliced
¼ dry breadcrumbs	3 slices Provolone cheese, cut in halves
1 egg	2 Tbsp. grated Parmesan cheese
½ tsp. each salt and pepper	

### Directions

Mix ground beef, garlic, onion, breadcrumbs and HALF the tomato sauce in large bowl.

Form meat mixture into 6 meatballs; set aside.

Attach grill plates to George Foreman® Grill. Preheat grill.

Place slider plate on lower grill plate and place one meatball into each opening. Close grill and cook 6 min. or until done (160°F).

For each slider, place 2 cheese slices on bottom of roll. Top with burgers, sauce and a sprinkle of Parmesan cheese.

Secure sliders with party picks to serve.

# WARRANTY AND CUSTOMER SERVICE INFORMATION

For support or any questions regarding your appliance, call the appropriate 800 number listed within this section. Please DO NOT return the product to the place of purchase. Also, please DO NOT mail product back to manufacturer, nor bring it to a service center. You may also want to consult our Product Protection Center at [www.prodprotect.com/georgeforeman](http://www.prodprotect.com/georgeforeman) .

## **Three-Year Limited Warranty**

(Applies only in the United States and Canada)

### **What does my warranty cover?**

- Your warranty covers any defect in material or workmanship provided; however, the liability of Spectrum Brands Inc. will not exceed the purchase price of product.

### **How long is the warranty period?**

- Your warranty extends three years from the date of original purchase with proof of purchase.

### **What support does my warranty provide?**

- Your warranty provides you with a reasonably similar replacement product that is either new or factory refurbished.

### **How do you get support?**

- Save your receipt as proof of date of sale.
- Visit the online service website at [www.prodprotect.com/georgeforeman](http://www.prodprotect.com/georgeforeman), or call toll-free 1-800-947-3745, for general warranty service.
- If you need parts or accessories, please call 1-800-738-0245.

### **How does state law affect my warranty?**

- This warranty gives you specific legal rights. You may also have other rights that vary from state to state or province to province.

### **What does my warranty not cover?**

- Damage from commercial use
- Damage from misuse, abuse or neglect
- Products that have been modified in any way
- Products used or serviced outside the country of purchase
- Glass parts and other accessory items that are packed with the unit
- Shipping and handling costs associated with the replacement of the unit
- Consequential or incidental damages (Please note, however, that some states do not allow the exclusion or limitation of consequential or incidental damages, so this limitation may not apply to you.)

### **Are there additional warranty exclusions?**

- **This warranty shall not be valid where it is contrary to U.S. and other applicable laws, or where the warranty would be prohibited under any economic sanctions, export control laws, embargos, or other restrictive trade measures enforced by the United States or other applicable jurisdictions. This includes, without limitation, any warranty claims implicating parties from, or otherwise located in, Cuba, Iran, North Korea, Syria and the disputed Crimea region.**

POR FAVOR LEA ESTE INSTRUCTIVO ANTES DE USAR EL PRODUCTO.

# INSTRUCCIONES IMPORTANTES DE SEGURIDAD.

Al utilizar cualquier aparato eléctrico siempre deben tomarse precauciones básicas de seguridad, incluyendo las siguientes:

- Lea todas las instrucciones.
- No toque las superficies calientes. Use las asas o las perillas.
- Este aparato no está diseñado para funcionar a través de un reloj automático externo o con un sistema de control remoto separado.
- A fin de protegerse contra un choque eléctrico y lesiones a las personas, no sumerja el cable, los enchufes ni el aparato en agua ni en ningún otro líquido.
- Todo aparato eléctrico usado en la presencia de los niños o por ellos mismos requiere la supervisión de un adulto.
- Desconecte el aparato del tomacorriente cuando no esté en uso y antes de limpiarlo. Espere que el aparato se enfríe antes de instalarlo o retirarle piezas y antes de limpiarlo.
- No use ningún aparato eléctrico que tenga el cable o el enchufe averiado, que presente un problema de funcionamiento o que este dañado. Acuda a un centro de servicio autorizado para que lo examinen, reparen o ajusten. O bien, llame al número gratuito apropiado que aparece en la portada de este manual.
- El uso de accesorios no recomendados por el fabricante del aparato puede ocasionar incendio, choque eléctrico o lesiones a las personas.
- No use este aparato a la intemperie.
- No permita que el cable cuelgue del borde de la mesa o del mostrador ni que entre en contacto con superficies calientes.
- No coloque el aparato sobre ni cerca de las hornillas de gas o eléctricas ni dentro de un horno caliente.
- Tome mucha precaución al mover de un lugar a otro un aparato que contenga aceite u otros líquidos calientes.
- Para desconectar, retire el enchufe del tomacorriente.
- Asegúrese de que las placas removibles estén colocadas y ajustadas correctamente (INSERTE LAS PLACAS DE LA PARRILLA).
- Este aparato se debe usar únicamente con el fin previsto.
- Este aparato se debe ser utilizado cerrado solamente.
- Este aparato no está diseñado para ser usado por personas (incluido niños) con capacidad limitada física, mental o sensoriales disminuidas y falta de experiencia o conocimiento que les impida utilizar el aparato con toda seguridad sin supervisión o instrucción.
- Se debe asegurar la supervisión de los niños para evitar que usen el aparato como juguete.

## CONSERVE ESTAS INSTRUCCIONES. Este aparato eléctrico es para uso doméstico solamente.

### ENCHUFE POLARIZADO

Este aparato cuenta con un enchufe polarizado (un contacto es más ancho que el otro). A fin de reducir el riesgo de un choque eléctrico, este enchufe encaja en un tomacorriente polarizada en un solo sentido. Si el enchufe no entra en el tomacorriente, invírtalo y si aun así no encaja, consulte con un electricista. Por favor no trate de alterar esta medida de seguridad.

### TORNILLO DE SEGURIDAD

**Advertencia:** Este aparato cuenta con un tornillo de seguridad para evitar la remoción de la cubierta exterior del mismo. A fin de reducir el riesgo de incendio o de choque eléctrico, por favor no trate de remover la cubierta exterior. Este producto no contiene piezas reparables por el consumidor. Toda reparación se debe llevar a cabo únicamente por personal de servicio autorizado.

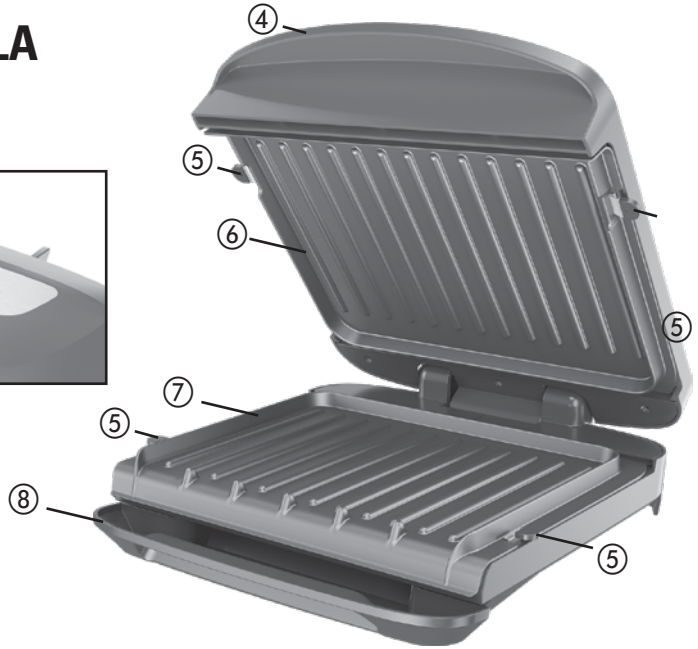
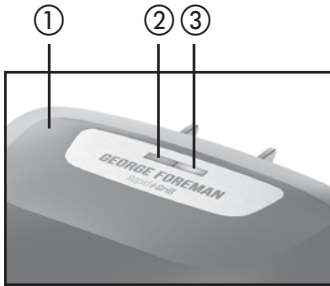
### CABLE ELÉCTRICO

- a) Un cable de alimentación corto es provisto para reducir los riesgos de enredarse o tropezar con un cable más largo.
- b) Existen cables de extensión disponibles y estos pueden ser utilizados si se toma el cuidado debido en su uso.
- c) Si se utiliza un cable de extensión:
  - 1) La clasificación eléctrica marcada del cable de extensión debe ser, como mínimo, igual a la clasificación eléctrica del aparato;
  - 2) Si el aparato es del tipo de conexión a tierra, el cable de extensión debe ser un cable de tres alambres de conexión a tierra; y
  - 3) El cable debe ser acomodado de manera que no cuelgue del mostrador o de la mesa para evitar que un niño tire del mismo o que alguien se tropiece sin darse cuenta.

**Nota:** Si el cable de alimentación está dañado, por favor llame al número del departamento de garantía que aparece en estas instrucciones.



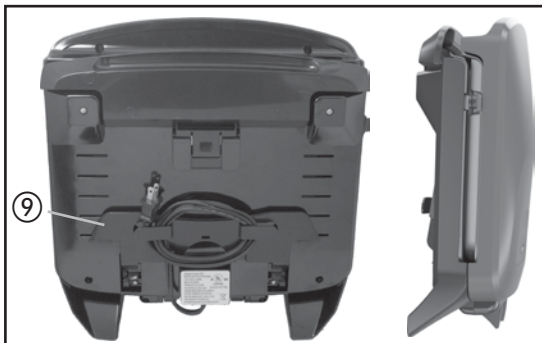
# CONOZCA SU PARRILLA



1. Tapa de la parrilla
2. Luz indicadora de funcionamiento (POWER)
3. Luz indicadora de precalentamiento
4. Asa
5. Tiradores de liberación de la placa de la parrilla (ambos lados)
- † 6. Placa de la parrilla removible superior (Pieza N° RPGF3602-01)

- † 7. Placa de la parrilla removible inferior (Pieza N° RPGF3602-02)
- † 8. Bandeja de goteo encajable (Pieza N° RPGF3602-03)
9. Base de parrilla de dos posiciones

**Nota:** † indica piezas desmontables/reemplazables por el consumidor. El producto puede variar ligeramente del que aparece ilustrado.



## Almacenamiento

Voltee la base de parrilla de dos posiciones debajo de la unidad. Luego enrolle el cable alrededor de los ganchos para mantenerlo asegurado.

Almacene la parrilla en posición vertical para ahorrar espacio.

# COMO USAR

Este producto es para uso doméstico solamente.

## PASOS PRELIMINARES

- Retire todo material de empaque y cualquier etiqueta adherida al producto.
- Retire y conserve toda literatura.
- Por favor visite el sitio [www.prodprotect.com/georgeforeman](http://www.prodprotect.com/georgeforeman) para registrar su garantía.

## USO DE LA ALTURA DE COCCIÓN AJUSTABLE

Esta parrilla tiene una bisagra exclusiva que permite que la tapa de la parrilla se ajuste según el grosor del alimento. Para dorar y cocinar de manera uniforme, cuando asa a la parrilla más de un sándwich o trozo de carne, es importante que el grosor de cada uno sea aproximadamente el mismo.



## INSERTE LAS PLACAS DE LA PARRILLA

**Importante:** Este electrodoméstico siempre debe ser usado con dos placas bien colocadas.

**Precaución:** Coloque todas las placas cuando el electrodoméstico esté frío.

1. Inserte la placa superior utilizando las lengüetas de liberación que se encuentran a cada lado de la placa. Para asegurar la placa, inserte las lengüetas localizadas en la parte inferior de la placa dentro de las ranuras situadas más cercanas a la bisagra. Empuje la placa hacia la parrilla hasta que las lengüetas caigan en su lugar.
2. Asegure la placa o la plancha/placa para hornear inferior usando las lengüetas de liberación como se describe en paso 1.

## PRECALENTAMIENTO DE LA PARRILLA

- Deslice la bandeja de goteo debajo de la parte frontal de la parrilla.
- Cierre la tapa y enchufe el cable en el tomacorriente.
- Permita que la parrilla se precaliente. La luz indicadora de precalentamiento (verde) se enciende cuando la parrilla haya alcanzado la temperatura deseada.

## ALIMENTOS A LA PARRILLA

- Con un agarrador de cocina, abra cuidadosamente la parrilla precalentada.

**Nota:** Nunca use rociadores de cocinar sobre las superficies antiadherentes de las placas. Los químicos de los rociadores, se acumulan en las superficies y reducen la eficiencia de las placas.

- Coloque cuidadosamente los alimentos que desea cocinar en la placa inferior de la parrilla precalentada. Cierre la tapa.

**Nota:** No sobrecargue la placa de cocción.

- Cierre la tapa y permita que los alimentos se cocinen el tiempo deseado. (Consulte la tabla de cocción.)

**Nota:** Utilice siempre utensilios de plástico, nailon o madera que sean resistentes al calor para no rayar la superficie antiadherente de las placas.

Nunca utilice pinchos de metal, pinzas, tenedores o cuchillos.

- Cuando haya terminado la cocción, desenchufe el aparato para enfriarlo.
- Utilizando una agarradera para ollas o guantes de cocina, abra cuidadosamente la tapa y retire los alimentos.
- Permita que la bandeja de goteo se enfríe antes de retirarla de la parte inferior de la parrilla. Lave y seque la bandeja de goteo después de cada uso. La bandeja de goteo también puede lavarse en la rejilla superior de la máquina lavaplatos.

## CÓMO UTILIZAR EL SOPORTE PARA LA PARRILLA DE DOBLE POSICIÓN

1. Para cocinar alimentos de manera inclinada como hamburguesas o pollo: Desdoble el soporte para la parrilla de doble posición hacia afuera. (A)
2. Para cocinar alimentos de manera horizontal como emparedados o perros calientes: Doble el soporte para almacenarlo debajo de la parrilla.

## TABLA DE COCCIÓN SUGERIDA

Los tiempos de cocción y las temperaturas en la siguiente tabla se deben utilizar sólo como una guía. El tiempo de cocción dependerá del grosor de los alimentos y el corte de carne utilizado. Utilice un termómetro para carnes para comprobar el punto de cocción del alimento, insertando el termómetro en la parte más gruesa de la carne. Por razones de preferencia personal, usted puede optar por cocinar los alimentos a una temperatura más alta.

	<b>Medio crudo</b> 63 °C (145 °F)	<b>Tiempo medio</b> 71 °C (160 °F)	<b>Cocinado</b> 74 °C (165 °F)
Bistec de salmón 170 g	4 min.		
Hamburguesas 113 g	2 - 4 min.	5 - 7 min.	6 - 8 min.
Pechuga de pollo 170 g			6 - 8 min.
Bistec 198 g	4 - 6 min.	5 - 7 min.	6 - 8 min.

## CUIDADO Y LIMPIEZA

**Precaución: Para evitar quemaduras, deje que la parrilla se enfríe por completo antes de limpiarla.**

Este producto no contiene piezas reparables por el consumidor. Para servicio, por favor acuda a personal calificado.

1. Vacíe la bandeja de grasa y lávela con agua tibia y jabón; séquela bien con una toalla de papel.
2. Para retirar las placas, presione las asas de liberación a ambos lados de la parrilla y sepárelas de la parrilla. Las placas se pueden lavar en el lavaplatos o a mano con agua caliente y jabón; siempre séquelas completamente antes de colocarlas en la parrilla.

3. Limpie el exterior de la parrilla con una esponja humedecida en agua tibia y seque con un paño suave y seco.
4. NO USE estropajos de aluminio, esponjillas para fregar o limpiadores abrasivos en ninguna parte de la parrilla.
5. NO la sumerja en agua ni en ningún otro líquido.
6. Asegúrese de sujetar la tapa de la parrilla al limpiarla para evitar que se cierre accidentalmente y provoque lesiones.
6. Cualquier servicio técnico que requiera desarmar la parrilla, además de la limpieza mencionada, debe ser realizado por un electricista calificado.

## RECETAS

### HAMBURGUESAS DE POLLO ASIÁTICAS

Prep Time: 10 Min | Total Time: 1 hora y 15 minutos

Porciones: 4

#### Ingredientes

1 libra de carne de pollo molido sin grasa	2 cucharadas de salsa de soya baja en sal
1 cucharada de jugo de limón	½ cucharadita de jengibre molido
1 diente de ajo, picadito	1 clara de huevo
2 cebollas verdes, picadas finamente	4 panecillos para hamburguesas con semillas de sésamo

#### Preparación

En un recipiente grande, combine el pollo, el jugo de limón, el ajo, las cebollas verdes, la salsa de soya, el jengibre y la clara de huevo. Forme en 4 hamburguesas. Refrégera por 1 hora.

Precaliente la Parrilla George Foreman®. Coloque las hamburguesas en la parrilla y cocine 5 minutos o hasta que las hamburguesas estén cocinadas (160°F).

Sirva en los panecillos con semillas de sésamo con condimentos como mantequilla de maní baja en grasa, salsa hoisin y germinado de soja.

## MINI HAMBURGUESAS DE ALBONDIGAS

Tiempo de preparación: 10 minutos | Tiempo total: 20 minutos

Porciones: 3

### Ingredientes

- ¾ libra de carne de res molida sin grasa
- 2 dientes de ajo, picados finamente
- ¼ taza de cebolla picada
- ¼ taza de migas de pan
- 1 huevo
- ½ cucharadita de sal y otra de pimienta
- 1 taza de salsa de tomate, dividida
- 1 cucharadita sazón italiana en seco
- 5 panecillos, calentados y rebanados
- 3 rebanadas de queso Provolone, cortado en mitades
- 2 cucharadas de queso Parmesano rallado

### Preparación

Mezcle la carne de res molida, el ajo, la cebolla, las migas de pan y MITAD de la salsa de tomate en un recipiente grande.

Forme la mezcla en 6 albondigas, reserve.

Instale las placas de parrilla en la Parrilla George Foreman®. Precaliente la parrilla.

Coloque la placa para mini hamburguesas sobre la placa inferior y coloque una albondiga dentro de cada abertura. Cierre la parrilla y cocine 6 minutos o hasta que estén cocinadas (160°F).

Para cada hamburguesa, coloque 2 rebanadas de queso en la parte inferior del panecillo. Cubra con las hamburguesas, la salsa y espolvoree con queso Parmesano.

Asegure las hamburguesas con palillos de fiesta para servir.

# INFORMACIÓN DE GARANTÍA Y SERVICIO AL CLIENTE

Para servicio, reparaciones o preguntas relacionadas al producto, por favor llame al número del centro de servicio que se indica para el país donde usted compró su producto. NO devuélva el producto al fabricante. Llame o lleve el producto a un centro de servicio autorizado. Usted también puede consultar a nuestro Centro de Protección del Producto en [www.prodprotect.com/georgeforeman](http://www.prodprotect.com/georgeforeman).

## **Tres Años de Garantía Limitada**

(No aplica en México, Estados Unidos y Canada)

### **¿Qué cubre mi garantía?**

- Su garantía cubre cualquier defecto de material o de mano de obra, siempre y cuando la responsabilidad de Spectrum Brands, Inc. no exceda el precio de compra del producto.

### **¿Por cuánto tiempo es válida la garantía?**

- Su garantía se extiende por tres años a partir de la fecha original de compra mientras que tenga una prueba de la compra.

### **¿Qué tipo de asistencia provee mi garantía?**

- Su garantía le brinda un producto de reemplazo similar que sea nuevo o que ha sido restaurado de fábrica.
- ¿Cómo se puede obtener asistencia?
- Conserve el recibo original de compra.
- Para servicio al cliente y para registrar su garantía, visite [www.prodprotect.com/georgeforeman](http://www.prodprotect.com/georgeforeman), o llame al número 1-800-947-3745, para servicio al cliente
- Por favor llame al número del centro de servicio autorizado. 1-800-738-0245.

### **¿Cómo afecta a mi garantía la ley estatal?**

- Esta garantía le otorga derechos legales específicos y el consumidor podría tener otros derechos que varían de una región a otra.

### **¿Qué no cubre mi garantía?**

- Los productos que han sido utilizados en condiciones distintas a las normales.
- Los daños ocasionados por el mal uso, el abuso o negligencia.
- Los productos que han sido alterados de alguna manera.
- Los daños ocasionados por el uso comercial del producto.
- Los productos utilizados o reparados fuera del país original de compra.
- Las piezas de vidrio y demás accesorios empacados con el aparato.
- Los gastos de tramitación y embarque asociados al reemplazo del producto.
- Los daños y perjuicios indirectos o incidentales.

### **¿Existen exclusiones de garantía adicionales?**

- **Esta garantía no será válida donde exista oposición a EE.UU. y otras leyes aplicables, o donde la garantía sería prohibida bajo cualquier sanción económica, ley de control de exportación, embargo u otra medida comercial impuesta por los Estados Unidos u otras jurisdicciones aplicables. Esto incluye, sin limitación, cualquier reclamo de garantía que implique partes de, u de otro modo localizadas en, Cuba, Irán, Corea del Norte, Siria y la región disputada de Crimea.**

# PÓLIZA DE GARANTÍA

(Válida sólo para México)

## **Duración**

Spectrum Brands de México SA de CV garantiza este producto por 3 años a partir de la fecha original de compra.

## **¿Qué cubre esta garantía?**

- Esta Garantía cubre cualquier defecto que presenten las piezas, componentes y la mano de obra contenidas en este producto.
- Requisitos para hacer válida la garantía
- Para reclamar su Garantía deberá presentar al Centro de Servicio Autorizado la póliza sellada por el establecimiento en donde adquirió el producto. Si no la tiene, podrá presentar el comprobante de compra original.

## **¿Dónde hago válida la garantía?**

- Llame sin costo al teléfono 01 800 714 2503, para ubicar el Centro de Servicio Autorizado más cercano a su domicilio en donde usted podrá encontrar partes, componentes, consumibles y accesorios.

## **Procedimiento para hacer válida la garantía**

Acuda al Centro de Servicio Autorizado con el producto con la póliza de Garantía sellada o el comprobante de compra original, ahí se reemplazará cualquier pieza o componente defectuoso sin cargo alguno para el usuario final. Esta Garantía incluye los gastos de transportación que se deriven de su cumplimiento.

## **Excepciones**

Esta Garantía no será válida cuando el producto:

- A) Se hubiese utilizado en condiciones distintas a las normales.
- B) No hubiese sido operado de acuerdo con el instructivo de uso que le acompaña.
- C) Cuando el producto hubiese sido alterado o reparado por personas no autorizadas por Spectrum Brands de México SA de CV.

**Nota:** Usted podrá encontrar partes, componentes, consumibles y accesorios en los centros de servicios autorizados. Esta garantía incluyen los gastos de transportación que se deriven de sus cumplimiento dentro de sus red de servicio.

## **¿Existen exclusiones de garantía adicionales?**

- **Esta garantía no será válida donde exista oposición a EE.UU. y otras leyes aplicables, o donde la garantía sería prohibida bajo cualquier sanción económica, ley de control de exportación, embargo u otra medida comercial impuesta por los Estados Unidos u otras jurisdicciones aplicables. Esto incluye, sin limitación, cualquier reclamo de garantía que implique partes de, u de otro modo localizadas en, Cuba, Irán, Corea del Norte, Siria y la región disputada de Crimea.**

Por favor llame al número correspondiente que aparece en la lista a continuación para solicitar que se haga efectiva la garantía y donde Ud. puede solicitar servicio, reparaciones o partes en el país donde el producto fué comprado.

### **Argentina**

Atención al consumidor  
0800 444 7296  
Horario de atención:  
Lunes a viernes de 9 a 13 hs  
y de 14.30 a 17 hs.  
email: servicios@spectrumbrands.com  
Humboldt 2495 piso 3  
C.A.B.A. - Argentina

### **Chile**

Servicios Tecnico Hernandez.  
Av. Providencia 2529, Local 26.  
Santiago-Chile.  
Tlf: 56 222333271  
Email:  
servicioblackanddecker@gmail.com

### **Colombia**

Spectrum Brands Corp, S.A.S.  
Transversal 23 #97-73  
Oficinas 403-404-405,  
Bogotá, Colombia  
Línea Servicio al Cliente: 018000510012

### **Costa Rica**

Aplicaciones Electromecanicas  
Calle 22 y 24 en Avenida 3 BLV de la torre  
Mercedes Benz  
200 mts norte y 50 mts este  
San José, Costa Rica  
Tel. (506) 2257-5716

### **Ecuador**

Servicio Master  
Dirección: Capitán Rafael  
Ramos OE 1-85 y Galo plaza Iasso.  
Tel (593) 2281-3882 / 2240-9870

### **El Salvador**

Sedeblack  
Calle San Antonio Abad, Colonia Lisboa  
No 2936  
San Salvador, Depto. de San Salvador  
Tel. (503) 2284-8374

### **Guatemala**

Kinal  
17 avenida 26-75, zona 11 Centro  
comercial Novicent,  
Local 37 - Ciudad  
Guatemala  
Tel. (502)-2476-7367

### **Honduras**

Serviteca  
San Pedro Sula, B Los Andes, 2 calle-entre  
11-12 Avenida  
Honduras  
Tel. (504) 2550-1074

### **México**

Kepler #168 Col.  
Anzures,  
Miguel Hidalgo  
México, CDMX  
Tel: 800-714-25-03

### **Nicaragua**

LRM ELECTRONICA  
Managua - Sinsa Altamira 1.5  
kilómetros al norte  
Nicaragua  
Tel. (505) 2270-2684

### **Panamá**

Supermarcas  
Centro comercial El dorado, Plaza  
Dorado, Local 2.  
Panama  
Tel. (507) 392-6231

### **Perú**

Servicio Central Fast Service  
Av. Angamos Este 2431  
San Borja, Lima Perú  
Tel. (511) 2251 388

### **Puerto Rico**

Buckeye Service  
Jesús P. Piñero #1013  
Puerto Nuevo, SJ PR 00920  
Tel.: (787) 782-6175

### **Republica Dominicana**

Prolongación Av. Rómulo  
Betancourt  
Zona Industrial de Herrera  
Santo Domingo, República  
Dominicana  
Tel.: (809) 530-5409

### **Venezuela**

Inversiones BDR CA  
Av. Casanova C.C.  
City Market Nivel Plaza Local 153  
Diagonal Hotel Melia,  
Caracas.  
Tel. (582) 324-0969



# VEUILLEZ LIRE ET CONSERVER CE GUIDE D'ENTRETIEN ET D'UTILISATION, IMPORTANTES CONSIGNES DE SÉCURITÉ.

Lorsqu'on utilise des appareils électriques, il faut toujours respecter certaines règles de sécurité fondamentales, notamment les suivantes :

- Lire toutes les instructions.
- Ne pas toucher aux surfaces chaudes. Utiliser les poignées ou les boutons de l'appareil.
- L'appareil n'est pas conçu pour être utilisé avec une minuterie externe ou un dispositif de télécommande séparé.
- Afin d'éviter les risques de choc électrique, ne pas immerger le cordon, la fiche ou l'appareil dans l'eau ou dans d'autres liquides.
- Exercer une étroite surveillance lorsque l'appareil est utilisé à proximité d'un enfant ou lorsqu'un enfant s'en sert.
- Débrancher l'appareil lorsqu'il n'est pas en marche et avant le nettoyage. Le laisser refroidir avant d'installer ou de retirer des pièces, et avant de le nettoyer.
- Ne pas utiliser un appareil dont la fiche ou le cordon sont abîmés, qui présente un problème de fonctionnement, ou qui est endommagé de quelque façon que ce soit. Communiquer avec le Service de soutien à la clientèle.
- L'utilisation d'accessoires non recommandés par le fabricant de l'appareil présente des risques de blessures.
- Ne pas utiliser l'appareil à l'extérieur.
- Ne pas laisser le cordon pendre du rebord d'une table ou d'un comptoir, ou toucher une surface chaude.
- Ne pas placer l'appareil sur un brûleur au gaz ou électrique ou près d'un tel appareil, ni dans un four chaud.
- Faire preuve d'une grande prudence au moment de déplacer un appareil qui contient de l'huile chaude ou d'autres liquides chauds.
- Pour débrancher l'appareil, retirer la fiche de la prise de courant murale.
- S'assurer que les plaques amovibles sont assemblées et fixées correctement (consulter la section UTILISATION : FIXATION DES PLAQUES).
- N'utiliser cet appareil que pour les fonctions auxquelles il est destiné.
- Faire fonctionner l'appareil uniquement lorsqu'il est fermé.
- Cet appareil n'est pas conçu pour être utilisé par des personnes (notamment des enfants) dont les capacités physiques, sensorielles ou mentales sont réduites ou qui manquent d'expérience ou de connaissances, à moins qu'elles ne soient supervisées ou dirigées par une personne responsable de leur sécurité pendant l'utilisation.
- Les enfants doivent être supervisés afin d'éviter qu'ils jouent avec l'appareil.

## CONSERVER CES INSTRUCTIONS.

L'appareil est conçu pour une utilisation domestique seulement.

### FICHE POLARISÉE

Cet appareil est doté d'une fiche polarisée (l'une des broches est plus large que l'autre). Afin de réduire les risques de choc électrique, la fiche se branche dans une prise polarisée dans un sens seulement. Si la fiche n'entre pas complètement dans la prise, tourner la fiche. Si la fiche n'entre toujours pas, communiquer avec un électricien qualifié. Ne pas tenter de modifier la fiche.

### VIS INVIOLEBLE

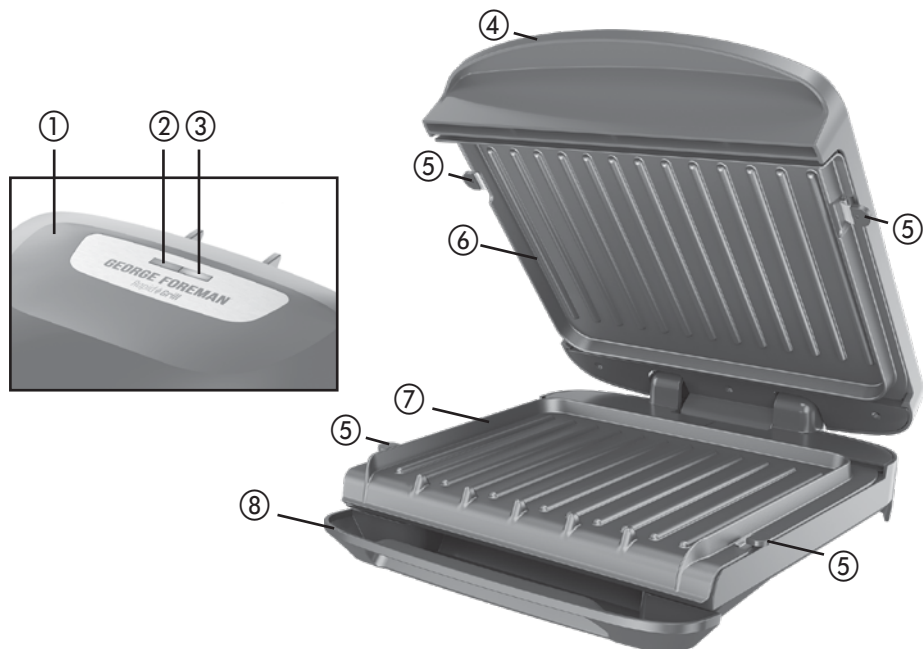
Avertissement : Cet appareil comporte une vis inviolable prévenant le retrait du boîtier externe. Pour réduire les risques d'incendie ou de choc électrique, ne pas tenter de retirer le boîtier externe. L'appareil ne contient aucune pièce réparable par l'utilisateur. Les réparations doivent être effectuées par un technicien autorisé seulement.

### CORDON D'ALIMENTATION

- a) Un cordon d'alimentation court est fourni pour éviter qu'un cordon long s'emmêle ou fasse trébucher.
- b) Des rallonges électriques sont disponibles et peuvent être utilisées avec prudence.
- c) En cas d'utilisation d'une rallonge :
  - 1) Le calibre indiqué de la rallonge doit être au moins aussi élevé que celui de l'appareil,
  - 2) si l'appareil est mis à la terre, la rallonge doit être de type mise à la terre avec 3 broches; et
  - 3) le cordon électrique doit être disposé de façon à ce qu'il ne pende pas du comptoir ou de la table, qu'il ne soit pas à la portée des enfants et qu'il ne fasse pas trébucher.

**Remarque :** Si le cordon d'alimentation est endommagé, veuillez communiquer avec le Service de la garantie dont les coordonnées figurent dans les présentes instructions.

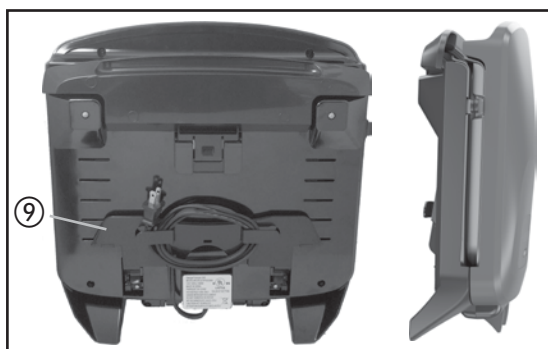
# FAMILIARISATION AVEC VOTRE GRIL



1. Couvercle du grill
  2. Voyant de l'alimentation
  3. Témoin de préchauffage
  4. Poignée
  5. Poignées de dégagement des plaques du grill (sur les deux côtés)
- † 6. Plaque de supérieure amovible du grill (n° de pièce RPGF3602-01)

- † 7. Plaque de inférieure amovible du grill (n° de pièce RPGF3602-02)
- † 8. Plateau d'égouttage intégré (n° de pièce RPGF3602-03)
9. Support du grill à deux positions

**Remarque:** † indique que la pièce est remplaçable par l'utilisateur/amovible. Le produit peut différer légèrement de celui qui est illustré.



## Rangement

Rabattre le support du grill à deux positions sous le grill. Ensuite, enrouler le cordon autour des crochets pour le maintenir en place.

Mettre le grill à la verticale pour économiser de l'espace de rangement.

# UTILISATION

Cet appareil est conçu pour un usage domestique seulement.

## POUR COMMENCER

- Retirer tout matériau d'emballage, tout autocollant apposé sur le produit, et la bande de plastique entourant la fiche.
- Retirer et conserver la documentation.
- Visiter le [www.prodprotect.com/georgeforeman](http://www.prodprotect.com/georgeforeman) pour enregistrer la garantie.

## UTILISATION DU SUPPORT DU GRIL À DEUX POSITIONS

1. Pour la cuisson en angle d'aliments tels que des galettes de viande ou du poulet : déployer le support du grill à deux positions de manière à l'éloigner du grill. (A)
2. Pour la cuisson à l'horizontale d'aliments tels que des paninis ou des hot dogs : rabattre le support de manière à le ranger sous le grill.



## FIXATION DES PLAQUES

**Important** : Cet appareil doit toujours être utilisé avec deux plaques bien fixées en place.

**Mise en garde** : Fixer les plaques du grill lorsque l'appareil est refroidi.

1. Fixer fermement la plaque supérieure du grill à l'aide des pattes de dégagement de chaque côté. Pour fixer la plaque, insérer les pattes au bas de la plaque dans les fentes les plus rapprochées de la charnière. Pousser la plaque dans le grill jusqu'à ce que les pattes de dégagement se fixent en place.
2. S'assurer de bien fixer la plaque du grill inférieure à l'aide des pattes de dégagement, tel qu'il est décrit à l'étape 1.

## PRÉCHAUFFAGE DU GRIL

- Insérer le plateau d'égouttage sous l'avant du grill.
- Fermer le couvercle et brancher le grill.
- Préchauffer le grill. Une fois la température sélectionnée atteinte, le témoin de température vert allume.

## CUISSON SUR LE GRIL

- À l'aide d'une poignée pour le four ou de gants de cuisine, ouvrir le couvercle avec précaution et retirer les aliments.

**Remarque** : Antiadhésifs en aérosol ne devraient jamais être utilisés; les produits chimiques permettant la vaporisation peuvent s'accumuler sur la surface des plaques du grill et réduire leur efficacité

- Placer délicatement les aliments à cuire sur la plaque inférieure du grill. Fermer le couvercle.

**Remarque :** Ne pas surcharger la plaque du grill.

- Fermer le couvercle et laisser les aliments cuire pendant le temps de cuisson désiré. (Voir le tableau de cuisson.)

**Remarque :** Toujours utiliser des ustensiles en silicone, en plastique résistant à la chaleur ou en bois pour éviter d'égratigner la surface antiadhésive des plaques. Ne jamais utiliser de spatules, de brochettes, de pinces, de fourchettes ni de couteaux métalliques.

- Une fois la cuisson terminée, débrancher l'appareil pour le laisser refroidir.
- À l'aide d'un poignée pour le four ou de gants de cuisine, ouvrir le couvercle avec précaution et retirer les aliments.
- Laisser le plateau d'égouttage refroidir avant de le retirer de sous le grill. Nettoyer et sécher le plateau d'égouttage après chaque utilisation. Il peut aussi être lavé dans le panier supérieur du lave-vaisselle.

### UTILISATION DU COUVERCLE À CHARNIÈRES RÉGLABLE

Le grill est doté d'un système de charnières unique permettant au couvercle de s'ajuster à l'épaisseur des aliments. Si vous grillez plus d'un sandwich ou morceau de viande à la fois, il est important que l'épaisseur soit la même pour assurer une cuisson et un grillage uniformes.

### TABLA DE TIEMPOS DE COCCIÓN RECOMENDADOS

La siguiente tabla debe ser utilizada sólo como una guía. El tiempo de cocción depende del grosor de los alimentos. Para asegurarse de que su alimento está cocinado adecuadamente, el Departamento de Agricultura de los Estados Unidos (USDA) recomienda utilizar un termómetro para carnes para comprobar el punto de cocción del alimento. Inserte el termómetro para carnes en la parte más gruesa de la carne hasta que la temperatura se estabilice.

	<b>Saignant</b> 63 °C (145 °F)	<b>À point</b> 71 °C (160 °F)	<b>Bien cuit</b> 74 °C (165 °F)
Darne de saumon 6 oz	4 min.		
Galettes de bœuf 4 oz (burgers)	2 - 4 min.	5 - 7 min.	6 - 8 min.
Poitrine de poulet 6 oz			6 - 8 min.
Steak 7 oz	4 - 6 min.	5 - 7 min.	6 - 8 min.

# ENTRETIEN ET NETTOYAGE

**Mise en garde : Pour éviter les brûlures accidentelles, laisser refroidir le gril complètement avant de le nettoyer.**

L'utilisateur ne peut effectuer lui-même l'entretien d'aucune pièce de cet appareil. Confier l'entretien à un technicien qualifié.

1. Vider le plateau d'égouttage et le laver à l'eau chaude savonneuse. Bien sécher.
2. Pour retirer les plaques, appuyer sur les poignées de dégagement des deux côtés des plaques, puis les enlever. Les plaques peuvent être lavées au lave vaisselle ou à la main à l'eau chaude et savonneuse. Toujours sécher complètement les plaques avant de les replacer.
3. Pour nettoyer le couvercle du gril, l'essuyer avec une éponge humide et tiède, et sécher avec un linge doux et sec.
4. Ne pas utiliser de laine d'acier, de tampons à récurer ou de nettoyeurs abrasifs pour nettoyer les pièces du gril.
5. Ne pas immerger le gril dans l'eau ou dans un autre liquide.
6. S'assurer de tenir le couvercle du gril pendant le nettoyage pour éviter tout risque de fermeture accidentelle et de blessure.
7. Tout entretien autre que le nettoyage ci-dessus et requérant un démontage doit être effectué par un électricien qualifié.

## RECETTES

### HAMBURGERS ASIATIQUES AU POULET

Temps de préparation : 10 Min, Temps total : 1 heure et 15 minutes, Donne : 4

<b>Ingrédients</b>	15 ml (2 c. à table) de sauce de soja faible en sel
455 g (1 lb) de poulet haché maigre	
15 ml (1 c. à table) de jus de citron	2,5 ml (½ c. à thé) de gingembre moulu
1 gousse d'ail émincée	1 blanc d'œuf
2 oignons verts, finement hachés	4 pains à hamburgers avec graines de sésame

### Directives

Dans un grand bol, combiner le poulet, le jus de citron, l'ail, les oignons verts, la sauce de soja, le gingembre et le blanc d'œuf. Former 4 galettes. Réfrigérer pendant 1 heure.

Préchauffer le gril George Foreman. Disposer les hamburgers sur le gril et griller durant 5 min ou jusqu'à ce que les galettes soient cuites (71 °C/160 °F).

Servir sur les pains à graines de sésame avec des condiments comme du beurre d'arachides faible en gras, de la sauce hoisin et des germes de haricot.

## **MINI-HAMBURGERS AUX BOULETTES DE VIANDE**

Temps de préparation : 10 minutes, Temps total : 20 minutes, Portions : 3

### **Ingrédients**

340 g (¾ lb) de bœuf haché maigre

2 gousses d'ail, hachées finement

60 ml (¼ tasse) d'oignon haché

60 ml (¼ tasse) de chapelure

1 œuf

2,5 ml (½ c. à thé) de sel et de poivre

250 ml (1 tasse) de sauce tomate, divisée en deux

5 ml (1 c. à thé) d'assaisonnement à l'italienne sec

6 petits pains mollets, chauffés et tranchés

3 tranches de provolone coupées en deux

30 ml (2 c. à table) de parmesan râpé

### **Directives**

Dans un grand bol, mélanger le bœuf haché, l'ail, l'oignon, la chapelure et la MOITIÉ de la sauce tomate.

Former 6 boulettes avec la préparation de viande, puis réserver.

Fixer les plaques de gril au gril George ForemanMD EvolveMC. Préchauffer le gril à 200 °C (400 °F).

Placer la plaque à mini-hamburgers sur la plaque inférieure, et placer une boulette de viande dans chaque ouverture. Fermer le gril et cuire 6 minutes ou jusque les mini-hamburgers soient cuits (71 °C/160 °F).

Pour chaque mini-hamburger, placer 2 tranches de fromage sur le petit pain. Garnir de boulettes et de sauce, puis saupoudrer de fromage parmesan.

Servir avec des pique-fruits.

# RENSEIGNEMENTS DE GARANTIE ET SERVICE À LA CLIENTÈLE

Pour communiquer avec les services d'entretien ou de réparation, ou pour adresser toute question relative au produit, composer le numéro sans frais approprié indiqué sur la page couverture. Ne pas retourner le produit où il a été acheté. Ne pas poster le produit au fabricant ni le porter dans un centre de service. On peut également consulter le site web indiqué sur la page couverture.

## **Garantie Limitée De 3 Ans (Valable seulement aux États-Unis et au Canada)**

### **Quelle est la couverture?**

- Tout défaut de main-d'oeuvre ou de matériau; toutefois, la responsabilité de la société. Applica se limite au prix d'achat du produit.

### **Quelle est la durée?**

- 3 année(s) à compter de la date d'achat initiale, avec une preuve d'achat.

### **Quelle aide offrons nous?**

- Remplacement par un produit raisonnablement semblable nouveau ou réusiné.

### **Comment se prévaut-on du service?**

- Conserver son reçu de caisse comme preuve de la date d'achat.
- Visiter notre site web au [www.prodprotect.com/georgeforeman](http://www.prodprotect.com/georgeforeman), ou composer sans frais le **1-800 947-3745**, pour obtenir des renseignements généraux relatifs à la garantie.
- On peut également communiquer avec le service des pièces et des accessoires au **1-800 738-0245**.

### **Quelles lois régissent la garantie?**

- Les modalités de la présente garantie donnent des droits légaux spécifiques. L'utilisateur peut également se prévaloir d'autres droits selon l'état ou la province qu'il habite.

### **Qu'est-ce que la garantie ne couvre pas?**

- Des dommages dus à une utilisation commerciale.
- Des dommages causés par une mauvaise utilisation ou de la négligence.
- Des produits qui ont été modifiés.
- Des produits utilisés ou entretenus hors du pays où ils ont été achetés.
- Des pièces en verre et tout autre accessoire emballés avec le produit.
- Les frais de transport et de manutention reliés au remplacement du produit.
- Des dommages indirects (il faut toutefois prendre note que certains états ne permettent pas l'exclusion ni la limitation des dommages indirects).

### **Existe-t-il d'autres exclusions à la garantie?**

- **La présente garantie n'est pas valable si elle contrevient aux lois en vigueur aux États-Unis ou autres lois applicables ailleurs, ou là où elle serait interdite en raison de sanctions économiques, de lois sur le contrôle des exportations, d'embargos ou d'autres mesures de restriction du commerce imposées par les États-Unis ou d'autres juridictions applicables. Ceci comprend, notamment, toutes réclamations au titre de la garantie impliquant des parties situées à Cuba, en Iran, en Corée du Nord, en Syrie et ailleurs dans la région contestée de la Crimée, ou provenant de ces endroits.**

Sello del Distribuidor:

Fecha de compra:

Modelo:

**Código de fecha / Date Code / Le code de date:**

1150W 120 V ~ 60 Hz

**Comercializado por:**

Spectrum Brands de México, SA de C.V  
Avenida 1° de Mayo No. 120  
Piso 7, Oficina 702.  
Colonia San Andres Atoto, C.P. 53500  
Naucalpan de Juárez, Estado de México, México

**Servicio y Reparación**

Art. 123 No. 95  
Col. Centro, C.P. 06050  
Deleg. Cuauhtemoc

**Servicio al Consumidor**

Venta de Refacciones  
y Accesorios  
01 800 714 2503

**Importado y Distribuido por:**

RAYOVAC ARGENTINA S.R.L. Humboldt 2495 Piso#  
3 C1425FUG) C.A.B.A. Argentina C.U.I.T NO. 30-  
70706168-1

**Importado por / Imported by:**

Spectrum Brands de México, SA de C.V  
Avenida 1° de Mayo No. 120  
Piso 7, Oficina 702.  
Colonia San Andres Atoto, C.P. 53500  
Naucalpan de Juárez, Estado de México, México

**Para atención de garantía marque:**

01 (800) 714 2503

**Importado por / Imported by:**

Household Products Chile Commercial Ltda  
Av. Del Valle 570, Ofic. 704  
Ciudad Empresarial, Huechuraba  
Santiago - Chile  
Fono: (562) 2571 3700

**Importado por / Imported by:**

Spectrum Brands Corp, S.A.S.  
Transversal 23 #97-73  
Oficinas 403-404-405,  
Bogotá, Colombia  
Línea Servicio al Cliente: 018000510012

USA/Canada 1-800-947-3745  
Accessories/Parts 1-800-738-0245  
Register your product at [www.prodprotect.com/georgeforeman](http://www.prodprotect.com/georgeforeman)

EE.UU./Canadá 1-800-947-3745  
Accesorios/Partes 1-800-738-0245  
Registre su producto a [www.prodprotect.com/georgeforeman](http://www.prodprotect.com/georgeforeman)

EE.UU./Canadá 1-800-947-3745  
Accessoires/Pièces 1-800-738-0245  
inscrire votre produit en ligne, [www.prodprotect.com/georgeforeman](http://www.prodprotect.com/georgeforeman)

Made in China.

Fabricado en China.

Fabriqué en Chine.

® Registered Trademark and ™ Trademark of Spectrum Brands, Inc.

Los símbolos ® y ™, respectivamente, indicant una marca registrada y una marca comercial de Spectrum Brands, Inc.

Les symboles ® et ™ indiquent respectivement une marque déposée et une marque de commerce de Spectrum Brands, Inc.